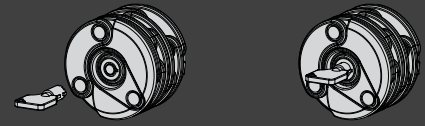




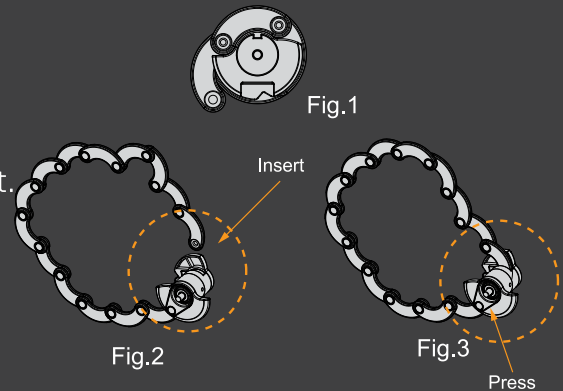
HOW TO USE THE 'KL-PUCK' LOCK

Align the key hole to insert key, press down and turn the key 90 degree clockwise, and return back to the align hole, the key cylinder will pop out. Now, the lock is ready for use.



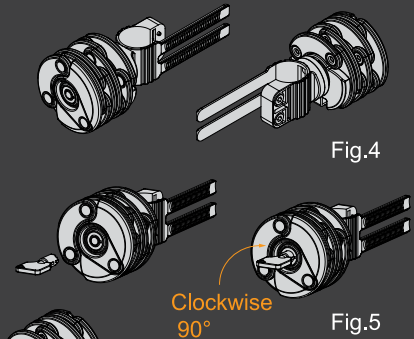
TO LOCK

- 1 Take out the last plate from the bottom. (Fig.1)
- 2 Open the whole folding plates to secure your object. (Fig.2)
- 3 Insert the last plate into lock body. Press the key cylinder to lock. (Fig.3)



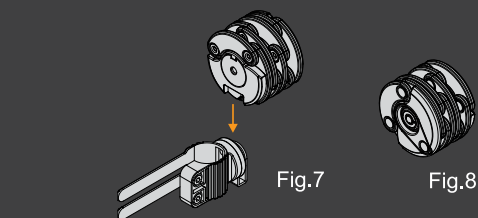
TO RELEASE FROM THE BRACKET

- 1 Fixed status. (Fig.4)
- 2 Insert the key align the key hole, press down and turn the key 90 degree clockwise, and return back to the key align hole, the key cylinder will pop out. Now, you can remove the lock from the secured bracket. (Fig.5)
- 3 Take the lock off the bracket. (Fig.6)



TO LOCK INTO THE BRACKET

- 1 Open the lock. (See Fig.2)
- 2 Fold all the plates around the lock body.
- 3 Insert the lock in to the bracket. (Fig.7)
- 4 Press the key cylinder to lock. Now, the lock is fixed on the bracket. (Fig.8)



The rest operation is now complete.
Repeat step anytime you wish to change your secret combination.